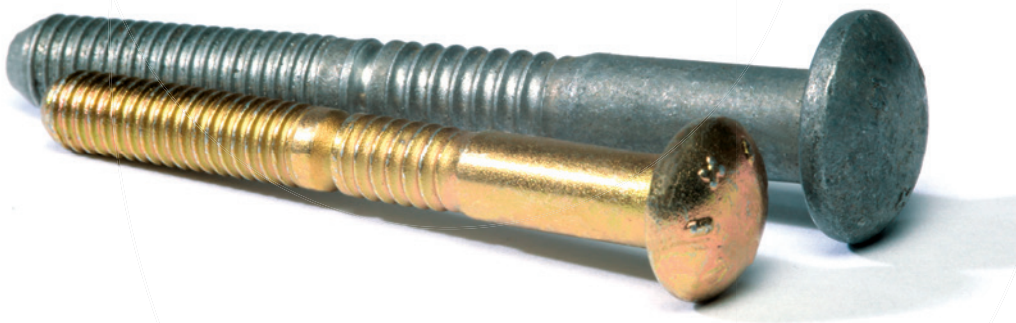


Alcoa
Fastening
Systems



C6L[®]

The original
vibration-resistant
HuckBolt[®]

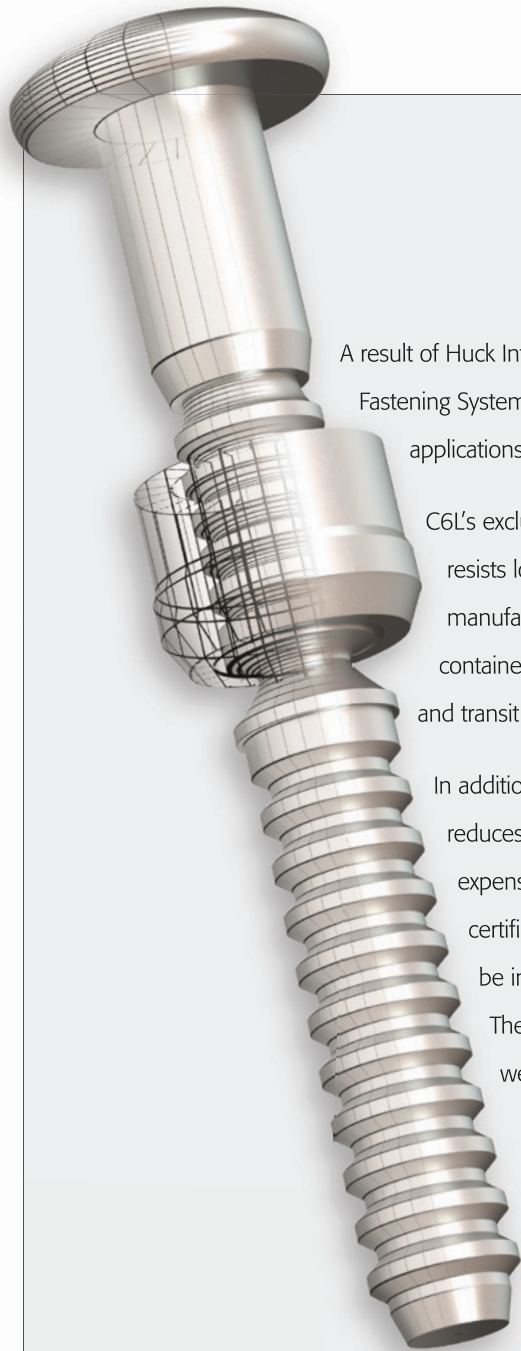
Locking groove design
Simple installation
Consistent clamp force

3/16"-3/8"



The Huck C6L®

The classic 6-groove locking fastener built with staying power.



A result of Huck International innovation a half-century ago, the versatile Alcoa Fastening Systems C6L® HuckBolt® remains the number one fastening system for applications that require a strong, vibration-resistant seal today.

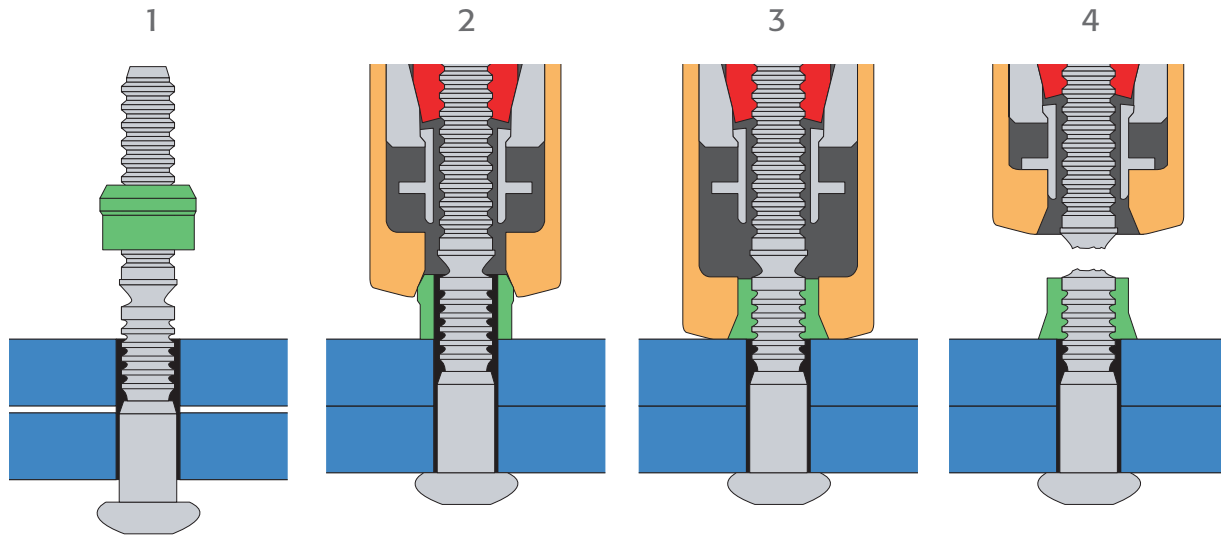
C6L's exclusive locking groove design ensures a permanent fit that resists loosening. That means it's ideal for applications from general manufacturing to such high-vibration applications as HVAC, trailer and container assembly, rotary and rotating equipment, shopping carts, railroad and transit cars, geodesic structures, and many others.

In addition to offering superior fastening performance, the C6L system reduces labor and installation costs, along with rework and warranty expenses. For example, using the C6L eliminates the need to hire certified welders or specially trained employees, because workers can be instructed to install these foolproof fasteners in a matter of minutes.

The C6L is simply stronger, easier to install, and more durable than welding, adhesives, or conventional threaded fastening systems.

Installation Sequence

The C6L's unique design virtually eliminates installation errors caused by operator or tool variables. The C6L ensures that once the collar swage is complete, the pintail breaks off and the fastener is tightly installed. No rework required. And you can count on consistent, high-uniform clamp force with every C6L installation, time after time.



1
The pin is inserted into the prepared hole and the smooth bore collar is placed on the pin.

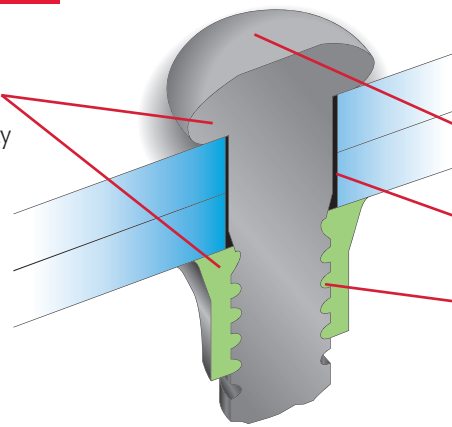
2
The installation tool is applied to the pintail. When the tool is activated, the jaws in the nose assembly pull on the pintail and the nose anvil pushes on the collar to remove any gap.

3
The nose anvil starts to swage the collar into the lockgrooves on the pin. Continued swaging causes the collar to lengthen and develop clamp.

4
When swaging of the collar into the lockgrooves is complete, the pintail separates from the pin which completes the installation cycle.

Secure, fast installation

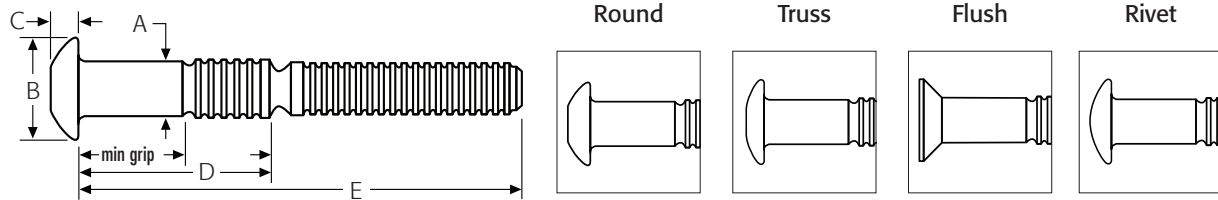
- Wide bearing collar and head spread load to ensure structural integrity



- Corrosion resistant coatings can be painted
- Excellent gap pull-out and high retained clamp
- High fatigue annular lock groove form extends the life of your structure

Data and Dimensions

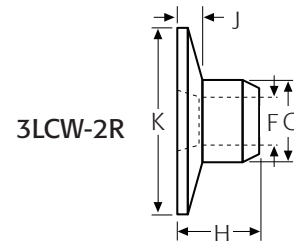
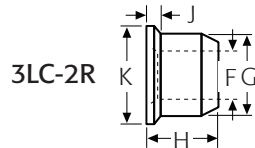
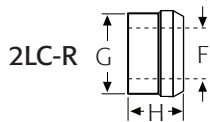
Head style options



Fastener dimensions

Diameter	Round Head			Truss Head		Flush Head		Rivet Head	
	A	B	C	B	C	B	C	B	C
6 (3/16")	.190 - .195	.360 - .390	.113 - .125	.406 - .469	.078 - .088			.469	.094
8 (1/4")	.254 - .259	.475 - .525	.136 - .152	.531 - .594	.103 - .115	.437 - .473	.104 - .113		
10 (5/16")	.317 - .322	.594 - .656	.181 - .201	.703 - .797	.127 - .141				
12 (3/8")	.380 - .385	.713 - .787	.223 - .248	.828 - .922	.186 - .202				

Collar style options



Collar dimensions

Collar Type	Part Number	Collar Diameter	F Diameter	G Diameter	H Length	J (1, 2) Dimension	K Diameter
Standard	2LC-R, 2LC-F	6 (3/16")	0.187 - 0.196	0.304 - 0.311	0.220 - 0.260		
	LC-I, 2LC-2CU	8 (1/4")	0.256 - 0.265	0.402 - 0.409	0.290 - 0.320		
		10 (5/16")	0.304 - 0.310	0.485 - 0.494	0.350 - 0.380		
		12 (3/8")	0.375 - 0.385	0.590 - 0.600	0.430 - 0.460		
Flange	3LC-2R, 3LC-F ¹	6	0.187 - 0.196	0.304 - 0.311	0.250 - 0.280	0.031 - 0.062	0.359 - 0.391
	3LC-I, 3LC-2CU ¹	8	0.256 - 0.267	0.402 - 0.409	0.349 - 0.379	0.047 - 0.078	0.484 - 0.516
		10	0.304 - 0.312	0.498 - 0.507	0.394 - 0.426	0.062 - 0.094	0.609 - 0.641
		12	0.378 - 0.390	0.599 - 0.610	0.502 - 0.532	0.062 - 0.125	0.719 - 0.781
Wide Flange	3LCW-2R8 ¹	8	0.253 - 0.272	0.400 - 0.409	0.410 - 0.480	0.105 - 0.156	0.853 - 1.022
	3LCW-2R10 ¹	10	0.304 - 0.312	0.498 - 0.507	0.474 - 0.506	0.144 - 0.196	0.984 - 1.016

¹ When using 3LC Collars, add "J" dimension to thickness of material being fastened to determine grip number.
² When using 8LC collars, subtract "J" dimension from thickness of material being fastened to determine grip number.



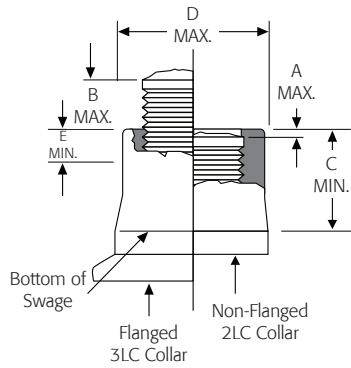
Installed fastener values

Diam.	Carbon Steel (R) Pins			2024 Aluminum (C) Pins			6061 Aluminum (F) Pins			Stainless Steel (U) Pins		
	2LC-R or 3LC-2R Collars (Grade 5)			2LC-F or 3LC-F Collars			LC-I or 3LC-I Collars			2LC-2CU or 3LC-2CU Collars		
	Shear	Clamp	Tensile	Shear	Clamp	Tensile	Shear	Clamp	Tensile	Shear	Clamp	Tensile
6	1725 (2430)	1025 (1200)	1650 (2200)	1050	550	1000	775	350	530	2000	1025	1455
8	3050 (4300)	1805 (2300)	3000 (3700)	1875	950	1800	1375	620	975	3550	1805	2750
10	4725 (6700)	2810 (4200)	4600 (6000)	2925	1500	2850	2125	965	1550	5525	2810	4250
12	6825 (9600)	4020 (5980)	6500 (9300)	4200	2200	4200	3050	1380	2400	7950	4020	6100

Grip tables

Grip	Grip Range	3/16" (6)		1/4" (8)		Grip	Grip Range	5/16" (10)		3/8" (12)	
		E	F	E	F			E	F	E	F
2	0.063 - 0.188	0.394	1.404	0.485	1.520						
3	0.125 - 0.250	0.457	1.466	0.548	1.583						
4	0.188 - 0.313	0.519	1.529	0.610	1.645	4	0.125 - 0.375	0.749	1.906	0.809	2.125
5	0.250 - 0.375	0.582	1.591	0.673	1.708						
6	0.313 - 0.438	0.644	1.654	0.735	1.770	6	0.250 - 0.500	0.874	2.031	0.934	2.250
7	0.375 - 0.500	0.707	1.716	0.798	1.833						
8	0.438 - 0.563	0.769	1.779	0.860	1.895	8	0.375 - 0.625	1.000	2.156	1.059	2.375
9	0.500 - 0.625	0.832	1.841	0.923	1.958						
10	0.563 - 0.688	0.894	1.904	0.985	2.020	10	0.500 - 0.750	1.124	2.281	1.184	2.500
11	0.625 - 0.750	0.957	1.966	1.048	2.083						
12	0.688 - 0.813	1.019	2.029	1.110	2.145	12	0.625 - 0.875	1.249	2.406	1.309	2.625
13	0.750 - 0.875	1.082	2.091	1.173	2.208						
14	0.813 - 0.938	1.144	2.154	1.235	2.270	14	0.750 - 1.000	1.374	2.531	1.434	2.750
15	0.875 - 1.000	1.207	2.216	1.298	2.333						
16	0.938 - 1.063	1.269	2.279	1.360	2.395	16	0.875 - 1.125	1.500	2.656	1.559	2.875
17	1.000 - 1.125	1.332	2.341	1.423	2.458						
18	1.063 - 1.188	1.394	2.404	1.458	2.520	18	1.000 - 1.250	1.624	2.781	1.684	3.000
19	1.125 - 1.250	1.457	2.466	1.548	2.583						
20	1.188 - 1.313	1.519	2.529	1.610	2.645	20	1.125 - 1.375	1.749	2.906	1.809	3.125
21	1.250 - 1.375	1.582	2.591	1.673	2.708						
22	1.313 - 1.438	1.644	2.654	1.735	2.770	22	1.250 - 1.500	1.874	3.031	1.934	3.250
23	1.375 - 1.500	1.707	2.716	1.798	2.833						
24	1.438 - 1.563			1.866	2.895	24	1.375 - 1.625	2.000	3.156	2.059	3.375
25	1.500 - 1.625			1.923	2.958						
26	1.563 - 1.688			1.985	3.020	26	1.500 - 1.750	2.124	3.281	2.184	3.500
27	1.625 - 1.750			2.048	3.083						
28	1.688 - 1.813			2.110	3.145	28	1.625 - 1.875	2.249	3.406	2.309	3.625
29	1.750 - 1.875			2.173	3.208						
30	1.813 - 1.938			2.235	3.270	30	1.750 - 2.000	2.374	3.531	2.434	3.750
31	1.875 - 2.000			2.298	3.333						
32	1.938 - 2.063			2.368	3.395	32	1.875 - 2.125	2.500	3.656	2.559	3.875
37				2.637	3.708						

C6L® Inspection Data and Installation Tooling



Inspection data

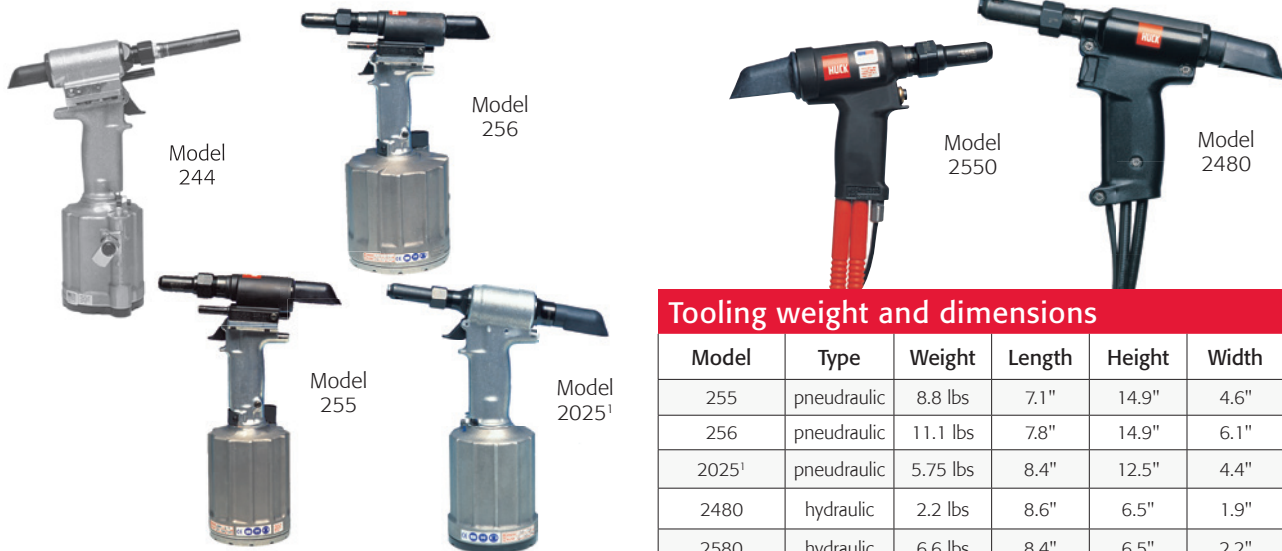
Nominal Size	A max	B max	C min	D max	E min	Hole Size	
						2LC Collar	3LC Collar
Straight Bore Anvil Tooling							
6 (3/16")	.078	.125	.172	.276	–	.218	.234
8 (1/4")	.078	.156	.250	.364	–	.281	.312
10 (5/16")	.140	.219	.281	.454	–	.359	.390
12 (3/8")	.125	.281	.344	.552	–	.421	.468
Tapered Bore Anvil Tooling (99-3003 and 99-3006)							
6 (3/16")	.040	.125	.180	.276	.115	.218	.234
8 (1/4")	.030	.156	.230	.364	.085	.281	.312

Should "A" or "B" dimensions exceed the given values, the fastener is out-of-grip. A "C" dimension less than the given value indicates an incomplete swage. A "D" dimension greater than the given values indicates an incorrect or worn anvil on the installation tool. "E" is the minimum length from the top of the collar to measure "D" diameter for tapered bore anvils.

Installation Tools

Tool Model	Size	Pneudraulic Tools				Hydraulic Tools	
		244	245/255	246/256	2025 ¹	2480	2580
Nose Assembly	3/16"	99-3010	99-2558	99-2558	99-3003 ¹	99-3003 99-3010	
	1/4"	99-3417	99-2564	99-2564	99-3006 ¹	99-3006 99-3417	
	5/16"		99-99-245	99-99-245			99-99-245
	3/8"		99-100-245	99-100-245			99-100-245

¹ Note: When using tapered bore anvils with single acting tooling (2025), use visual inspection data for tapered bore anvil tooling.



Tooling weight and dimensions

Model	Type	Weight	Length	Height	Width
255	pneudraulic	8.8 lbs	7.1"	14.9"	4.6"
256	pneudraulic	11.1 lbs	7.8"	14.9"	6.1"
2025 ¹	pneudraulic	5.75 lbs	8.4"	12.5"	4.4"
2480	hydraulic	2.2 lbs	8.6"	6.5"	1.9"
2580	hydraulic	6.6 lbs	8.4"	6.5"	2.2"

Ordering Information

Follow the form below to construct a part number for ordering C6L pins and their respective collars.
Refer to the Grip Data chart for grip numbers.

Pins (Grade 2 Steel, Aluminum, Stainless Steel)

C6L – (MATERIAL) (DIAMETER) – (GRIP NUMBER) (FINISH)

Example: C6LT-R8-4G is a C6L HuckBolt Pin, Truss Head, Carbon Steel, 1/4" Diameter, Grip 4, Zinc Finish

Head Style	Prefix	Material	Code	Diameter	Code	Grip	Finish	Suffix
Round	C6LB	Grade 2 Carbon Steel	R	3/16"	6	Refer to Grip Table on page 5	Zinc	G
Truss	C6LT	2024 Aluminum Alloy	C	1/4"	8			
Flush	C6L90	6061 Aluminum Alloy	F	5/16"	10			
Rivet	C98LT	Stainless Steel	U	3/8"	12			

Collars (Grade 2 Steel, Aluminum, Stainless Steel)

(TYPE) – (MATERIAL) (DIAMETER) (FINISH)

Example: 2LC-R8G is a Standard C6L HuckBolt Collar, Carbon Steel, 1/4" Diameter, Zinc Finish

Head Style	Prefix	Material	Code	Diameter	Code	Finish	Suffix
Standard	2LC	Carbon Steel	2R/R	3/16"	6	Zinc	G
Flange	3LC	6061 Alum Alloy Heat Treated	I	1/4"	8		
Wide Flange	3LCW	6061 Alum Alloy	F	5/16"	10		
		Stainless Steel	2CU	3/8"	12		

Pins (Grade 5)

C120L (HEAD STYLE) – (MATERIAL) (DIAMETER) – (GRIP NUMBER) (FINISH)

Example: C120LT-R8-4G is a C120L HuckBolt Pin, Truss Head, Carbon Steel, 1/4" Diameter, Grip 4, Zinc Finish

Head Style	Prefix	Material	Code	Diameter	Code	Grip	Finish	Suffix
Round	C120B	Grade 5 Carbon Steel	R	3/16"	6	Refer to Grip Table on page 5	Zinc	G
Truss	C120T			1/4"	8			
Flush	C12090			5/16"	10			
				3/8"	12			

Collars (Grade 5)

(TYPE) – (MATERIAL) (DIAMETER) (FINISH)

Example: 2LC120-R8G is a Standard C120L HuckBolt Collar, Carbon Steel, 1/4 Diameter, Zinc Finish

Grade 5	Prefix	Material	Code	Diameter	Code	Finish	Suffix
Standard	2LC120	Carbon Steel	2R/R	3/16"	6	Zinc	G
Flange	3LC120			1/4"	8		
				5/16"	10		
				3/8"	12		

Alcoa Fastening Systems



For more than 120 years, the name Alcoa has been recognized worldwide as a strong leader in product quality and customer support. These strengths are found in every product manufactured for Alcoa Fastening Systems, offering the greatest breadth and depth of fastening system solutions in the industry.

Alcoa Fastening Systems (AFS) maintains company offices in the United States and in many other countries. AFS fastener distributors are also located in many of the world's industrial centers, where they provide a ready source of AFS fasteners, installation tools, tool parts, and application assistance.

Americas

Industrial Fastener Division
8001 Imperial Drive
Waco, TX 76712, USA
P.O. Box 8117
Waco, TX 76714-8117, USA
Tel: 800 388 4825
Fax: 800 798 4825

Installation Tool Division
1 Corporate Drive
Kingston, NY 12401, USA
Tel: 800 278 4825
Fax: 845 334 7333

AFS Industrial Distribution
Group Headquarters
1925 North MacArthur Drive
Tracy, CA 95376, USA
Tel: 800 826 2884
Fax: 209 839 3022

AFS Industrial Distribution
14300 Clay Terrace Blvd.
Suite 250
Carmel, IN 46032, USA
Tel: 800 826 2884
Fax: 800 573 2645

Latin America Sales
Avenida Parque Lira
79-402 Tacubaya
Mexico C P 11850
Tel: +52 55 5515 1776
Fax: +52 55 5277 7564

Brazil Sales
Av. Nações Unidas, 12.901
Torre Oeste, 3º andar
São Paulo – SP – Brasil
04578-000
Tel: 0800 015 9888
Fax: +55 11 5509 0200

International Locations

India Operations
Unit no. 28, Chowringhee Court
55/1, Chowringhee Road
Kolkata – 700071
India
Tel: +91 33 4069 9170/80
Fax: +91 33 4069 9184

Japan/Korea Sales
Alcoa Japan Ltd.
#1013 NBF Hibiya Bldg.
Uchisaiwai-cho, Chiyoda-ku
Tokyo 100-1011
Japan
Tel: +81 3 3539 6577
Fax: +81 3 3539 6585

Melbourne Operations
1508 Centre Road
Clayton, Victoria, 3168
Australia
Tel: +61 3 8545 3333
Fax: +61 3 8545 3390

Suzhou Sales
58 Yinsheng Road, Shengpu
Suzhou Industrial Park
Suzhou Jiangsu 215126
China
Tel: 0512 62823800-8888
Fax: 0512 62863810

Telford Operations
Unit C, Stafford Park 7
Telford, Shropshire TF3, 3BQ
United Kingdom
Tel: +44 1952 2900 11
Fax: +44 1952 2904 59

Alcoa Fastening Systems
St Cosme Operations
9 rue de Cressonnieres
72110 Saint Cosme en Varais
France
Tel: +33 0 2.43.31.41.00
Fax: +33 0 2.43.31.41.41

Alcoa Fastening Systems
Kelkheim Operations
Industriestr. 6
65779 Kelkheim
Germany
Tel: +49 [0] 6195 8050
Fax: +49 [0] 6195 2001

AFShuck.net
youtube.com/AFSindustrial

Disclaimer:

The information contained in this publication is only for general guidance, and is not intended to create any warranty, express, implied, or statutory; all warranties are contained only in AFS's written quotations, acknowledgments, and/or purchase orders. It is recommended that the user secure specific, up-to-date data and information regarding each application and/or use of such products.

**Alcoa
Fastening
Systems**

