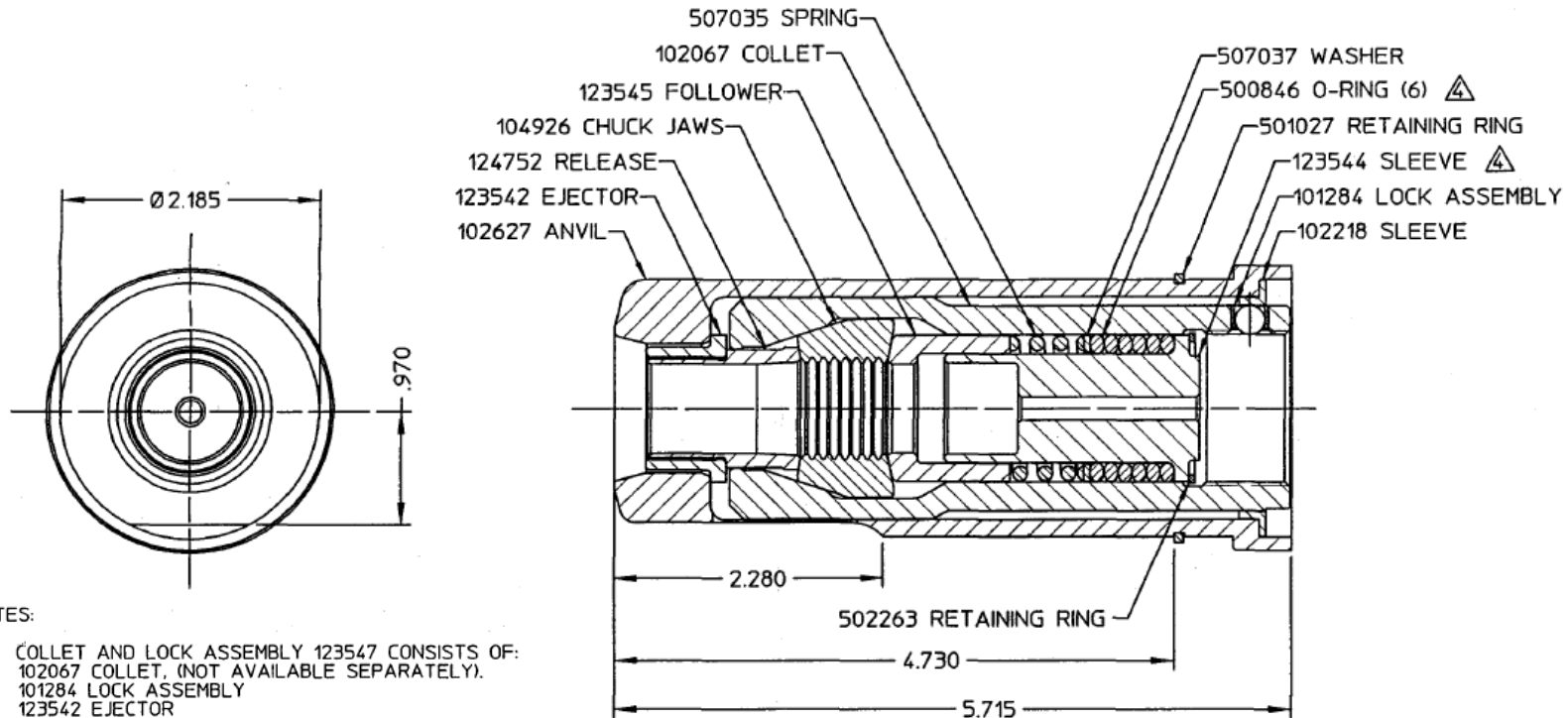


APPLIFAST - HUCK 99-5010 NOSE ASSEMBLY



NOTES:

- 1 COLLET AND LOCK ASSEMBLY 123547 CONSISTS OF:
102067 COLLET, (NOT AVAILABLE SEPARATELY).
101284 LOCK ASSEMBLY
123542 EJECTOR
124752 RELEASE
- 2 RELEASE AND EJECTOR KIT 123546 CONSISTS OF:
124752 RELEASE
123542 EJECTOR
- 3 SHIP WITH CAUTION TAG 590152.
- ⚠ ASSEMBLE SLEEVE AND O-RINGS PER HUCK SPEC. 42-491.
- 5 RELEASE AND EJECTOR ASSEMBLY TOOL 124751
OPTIONALLY AVAILABLE.

99-5010 Part Number	Aisco Fastening Systems Commercial Products 1 Corporate Drive, Kingston, NY 12401	
	NOSE TYPE:	SELF-RELEASING
	FASTENER TYPE:	-24 C50L
	TOOL(S):	505, 585, 586
	Notes:	Product Revision: B
US Patent:	Date: 06/18/03	

251 Cree Crescent Winnipeg, MB Canada R3J 3X4
 Tel: 204 837 8361 800 563 1293
 Fax: 204 837 3520 800 974 1494
 info@applifast.com
 www.applifast.com

**Creating Innovative
Solutions for Industry**